

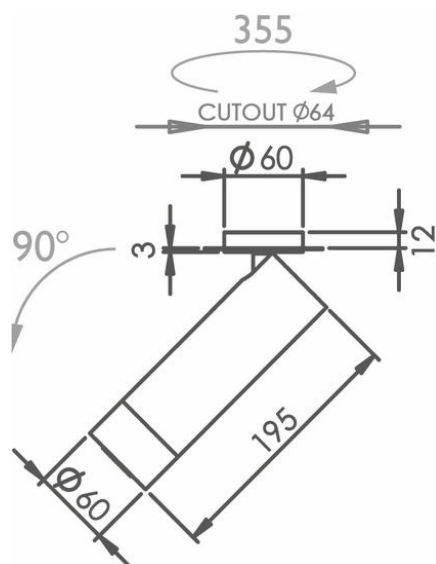
VORSA FRAME 60

FRAMING PROJECTOR TO PRECISELY LIGHT ART

The award-winning Vorsa Frame 60 has been designed to perfectly illuminate artwork. The art light uses multiple precision optical lenses to precisely illuminate artwork or an object by framing it perfectly with light, whatever its shape. It uses state-of-the-art LEDs which are designed specifically to replicate the human perception of colour. We will work with you through the careful planning stages and bespoke commissioning for each luminaire. This is required to exactly fit the artwork or object it is illuminating. Numerous mounting options are available from track to surface and plaster in.

LUMINAIRE DATA	NARROW	MEDIUM	WIDE
Beam Angle (°)	N/A	N/A	N/A
LED Source Lumens (lm)	1250 lm	1250 lm	1250 lm
Luminaire Lumens (lm)			
Intensity Rating (cd)			
Power Consumption (W)	12W	12W	12W
Luminaire Efficacy (lm/W)			
Colour Temperature (K)	3000K		
CIE CRI available as	93 Ra (GAI 80)		
IES TM-30 Colour Fidelity (R _f)			
IES TM-30 Colour Gamut (R _g)			
Binning	2 SDCM		
Lifetime L70/B10 (hours)	>50000		
IP Rating	IP20		
IK Rating			

PROJECT REF _____



Dimensions in mm. Not to scale

Polar diagram

PRODUCT VARIATIONS

Black RAL 9005	N/A	3000K	1-10V dimmable
White RAL 9910			DALI dimmable
			Mains dimmable (phase cut dimming)
			Switched

Technical data figures are for guidance only and are subject to ±5% tolerance



VORSA FRAME 60

FRAMING PROJECTOR TO PRECISELY LIGHT ART

ELECTRICAL INFORMATION	NORMAL	MAX
Forward Voltage (Vf) @ 85°C	34V DC	34V DC
Current Rating	350mA	350mA
Wattage	12W	12W
Source Type	LED	
Product Class	Class III (SELV low voltage)	

PHYSICAL DATA

Cable Size	2 off 16/32 (0.5mm ²)
Cable Type	H05V-K Cable
Cable Length	2 x 185mm
Connector Type	Leads included
Weight	1kg
Ambient Temperature (Ta) (in void)	-20 ... +35 °C

Technical data figures are for guidance only and are subject to ±5% tolerance

PROJECT REF _____

COMPLIANCE

IEC/EN 60598-1:2014
IEC/EN 60598-2-2:2012
IEC/EN 60958-2-1:1979

