

SIROLO

LOW GLARE STEP LIGHT FOR INTERNAL AND EXTERNAL USE

The Sirolo steplight is an energy efficient LED square step light. It provides low glare floor wash lighting at low level to stair treads, corridors, and kitchen plinths. It is IP66 rated so can also be used outside as a step light or floor washer in hard landscaping. It can also be recessed upside down at high level as an uplight. The Sirolo steplight creates a defined shape on the floor highlighting the surface below. The white version is primed ready for painting.

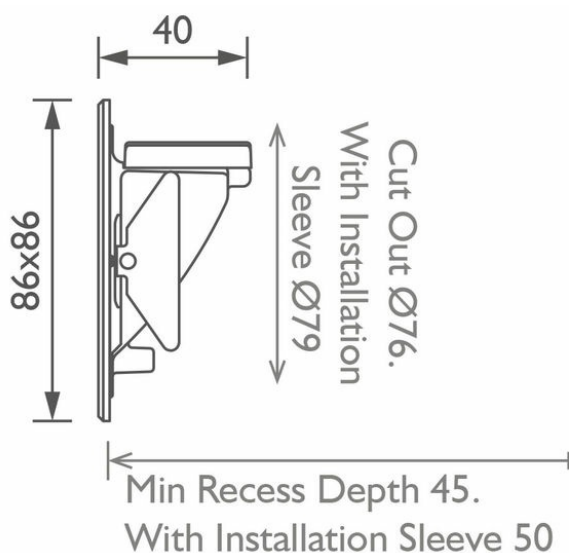
PROJECT REF _____



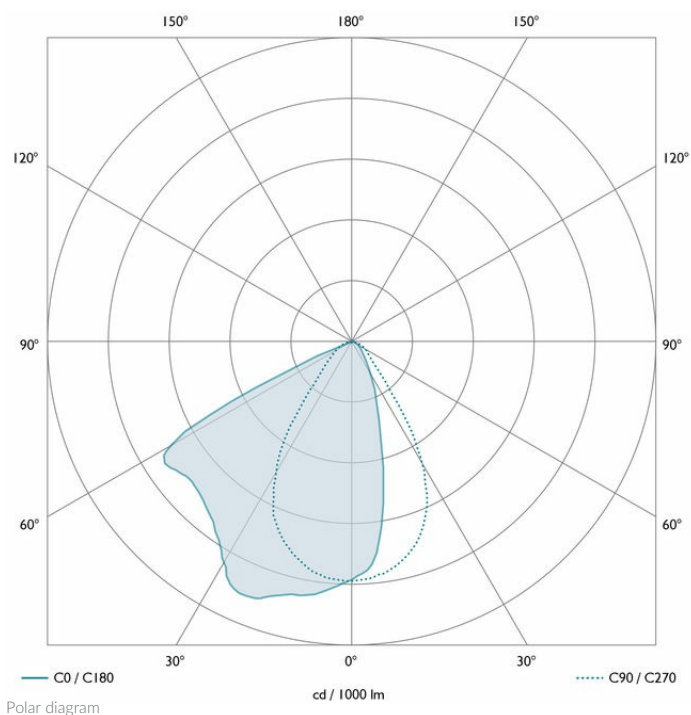
LUMINAIRE DATA

WIDE

Beam Angle (°)	Floor Wash
LED Source Lumens (lm)	160 lm
Luminaire Lumens (lm)	70 lm
Intensity Rating (cd)	50 cd
Power Consumption (W)	2W
Luminaire Efficacy (lm/W)	35 lm/W
Colour Temperature (K)	2700K
CIE CRI available as	>90 Ra
IES TM-30 Colour Fidelity (R _f)	86
IES TM-30 Colour Gamut (R _g)	>90
Binning	2 SDCM
Lifetime L70/B10 (hours)	>50000
IP Rating	IP66
IK Rating	IK03



Dimensions in mm. Not to scale



PRODUCT VARIATIONS

Black RAL 9005	Floor Wash	2700K	1-10V dimmable
Bright Chrome			DALI dimmable
Bronze			Mains dimmable (phase cut dimming)
Primed			Switched
Stainless Steel			
White RAL 9910			

Technical data figures are for guidance only and are subject to ±5% tolerance



SIROLO

LOW GLARE STEP LIGHT FOR INTERNAL AND EXTERNAL USE

ELECTRICAL INFORMATION	NORMAL	MAX
Forward Voltage (Vf) @ 85°C	2.9V DC	3.2V DC
Current Rating	350mA	700mA
Wattage	1W	2.2W
Source Type	LED	
Product Class	Class III (SELV low voltage)	

PHYSICAL DATA	
Cable Size	4mm OD - 2 off 7/0.2 (0.22mm ²)
Cable Type	2 Core PVC (Copper Strands)
Cable Length	300mm
Connector Type	N/A
Weight	190g
Ambient Temperature (Ta) (in void)	-20 ... +50 °C

Technical data figures are for guidance only and are subject to ±5% tolerance

PROJECT REF

PRODUCT ACCESSORIES	
IP66 enclosure for Driver Large	ACENIPLRG
IP66 enclosure for Driver Small	ACENIPSML
IP68 In-Line Connection	ACILIP68C
Sirolo Installation Sleeve	ACISSIRO1
IP68 Y-Junction Connection	ACYJBIP68

COMPLIANCE	
IEC/EN 60598-1:2015	
IEC/EN 60598-2-2:2012	

