

## POLESPRING 50

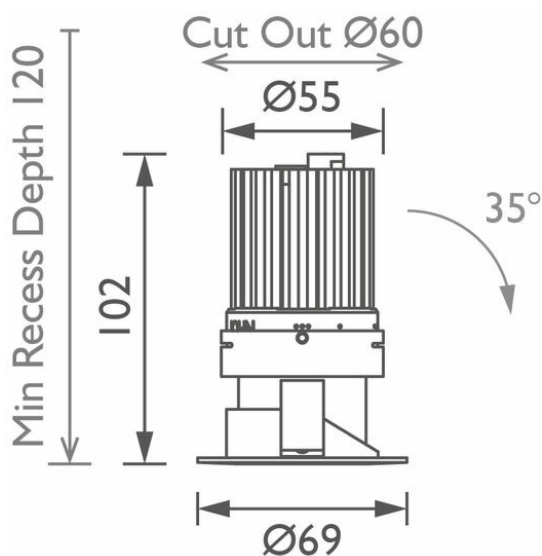
LOW GLARE DIRECTIONAL TRIM OR FLUSH DOWNLIGHT

The Polespring 50 is a low glare directional architectural downlight with a tilt mechanism of 35 degrees, suitable for both interior and marine applications. A 25mm extra deep black baffle and extra slim bezel allows for a low glare and minimal architectural lighting solutions.

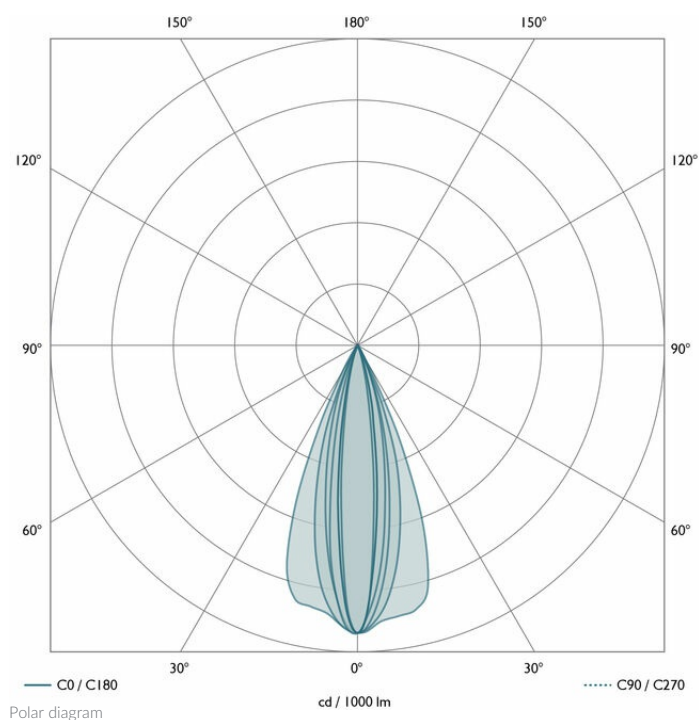
The Polespring 50 now comes with four different LED engines: Pure 50, AmbiDim 50, True 50 and Tune 50. See the LED engines for full details. Technical details below for the Pure 50. The engine features a patented twist and lock LED engine mount and plug in LED driver for interchangeable components on site with no hand tools required. A narrow 22° and wide 33° beam is available on special request.

PROJECT REF \_\_\_\_\_

LUMINAIRE DATA	SS	SP	ME	SW
Beam Angle (°)	13°	16°	26°	45°
LED Source Lumens (lm)	411	925	1163	1231
Luminaire Lumens (lm)	315	710	711	597
Intensity Rating (cd)	3829	6442	3064	1157
Power Consumption (W)	7W	12.8W	12W	12W
Luminaire Efficacy (lm/W)	45	55.5	59.3	49.8
Colour Temperature (K)	2700K			
CIE CRI available as	98 Ra			
IES TM-30 Colour Fidelity (R <sub>f</sub> )	95			
IES TM-30 Colour Gamut (R <sub>g</sub> )	99.4			
Binning	2 SDCM			
Lifetime L70/B10 (hours)	>50000			
IP Rating	IP20			
IK Rating	IK03			



Dimensions in mm. Not to scale



## PRODUCT VARIATIONS

White RAL 9910	Medium	2700K	1-10V dimmable
	Spot		DALI dimmable
	SuperSpot		Mains dimmable (phase cut dimming)
	SuperWide		Switched

Technical data figures are for guidance only and are subject to ±5% tolerance



## POLESPRING 50

LOW GLARE DIRECTIONAL TRIM OR FLUSH DOWNLIGHT

ELECTRICAL INFORMATION	NORMAL	MAX
Forward Voltage (Vf) @ 85°C	36V DC	36V
Current Rating	350mA	350mA
Wattage	12W	12.8W
Source Type	LED	
Product Class	Class III (SELV low voltage)	

## PHYSICAL DATA

Cable Size	6.4mm OD - 2 off 24/0.2 (0.75mm <sup>2</sup> )	
Cable Type	2 Core Silicone (180 °C)	
Cable Length	350mm	
Connector Type	OJ-602B	
Weight	260g	
Ambient Temperature (Ta) (in void)	-20 ... +35 °C	

Technical data figures are for guidance only and are subject to ±5% tolerance

## PROJECT REF \_\_\_\_\_

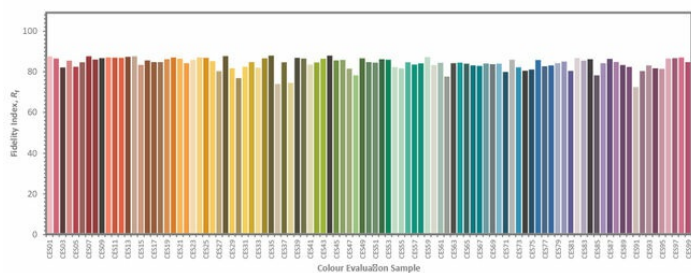
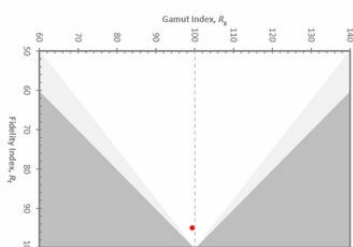
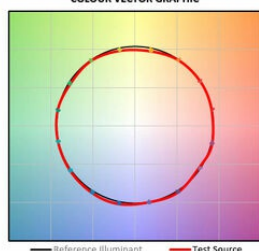
## PRODUCT ACCESSORIES

Fire Plate 50	ACFPPSXX1
Honeycomb Insert 50mm	ACHC50MM1
Halogen Upgrade Downlight Accessory White	ACHUPS011
Spreader Lens 50mm	ACLL50MM1
Lathe & Plaster Ceiling Ring Accessory	ACLPCRING
Plaster-in Flush Downlight Accessory	ACPIFLDL1
Sandblasted Glass Lens 50mm	ACSG50MM1
Softening Lens 50mm	ACSL50MM2

## COMPLIANCE

IEC/EN 60598-1:2015
IEC/EN 60598-2-2:2012

COLOUR VECTOR GRAPHIC



Colour Rendering Index

