

## HAMPTON 60 SPIKE

## POWERFUL SPIKE-MOUNTED ADJUSTABLE FLOODLIGHT

The Hampton 60 light is a spike mounted exterior spotlight. It is a versatile garden light fitting, ideal for highlighting pathways, planting and washing over large shrubbery. Mounted on a spike, it can be repositioned in the earth as the planting grows and changes between seasons. The light is shielded within the fitting to direct the light minimising glare.

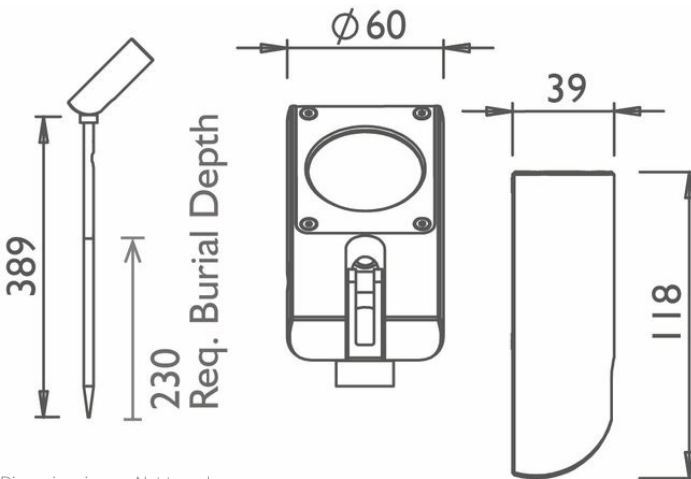
The colour and size of the fitting ensures it disappears into planting so just the lighting effect is seen. The Hampton is IP66 rated - see FAQs for more details on IP Values.

## PROJECT REF \_\_\_\_\_

## LUMINAIRE DATA

## WIDE

Beam Angle (°)	111°
LED Source Lumens (lm)	1289 lm
Luminaire Lumens (lm)	970 lm
Intensity Rating (cd)	371 cd
Power Consumption (W)	12W
Luminaire Efficacy (lm/W)	81 lm/W
Colour Temperature (K)	2700K
CIE CRI available as	>92 Ra
IES TM-30 Colour Fidelity (R <sub>f</sub> )	>90
IES TM-30 Colour Gamut (R <sub>g</sub> )	
Binning	2 SDCM
Lifetime L70/B10 (hours)	>50000
IP Rating	IP66
IK Rating	



Dimensions in mm. Not to scale

Polar diagram



## PRODUCT VARIATIONS

Olive Green

2700K

DALI dimmable

1-10V dimmable

Mains dimmable (phase cut dimming)

Switched

Technical data figures are for guidance only and are subject to ±5% tolerance



## HAMPTON 60 SPIKE

POWERFUL SPIKE-MOUNTED ADJUSTABLE FLOODLIGHT

ELECTRICAL INFORMATION	NORMAL	MAX
Forward Voltage (Vf) @ 85°C	12V	12V
Current Rating	1050mA	1050mA
Wattage	12W	12W
Source Type	LED	
Product Class	Class III (SELV low voltage)	

### PHYSICAL DATA

Cable Size	6.4mm OD - 2 off 24/0.2 (0.75mm <sup>2</sup> )
Cable Type	2 Core Silicone (180 °C)
Cable Length	1600mm
Connector Type	
Weight	270g / 410g
Ambient Temperature (Ta) (in void)	-20 ... +40 °C

Technical data figures are for guidance only and are subject to ±5% tolerance

## PROJECT REF

### COMPLIANCE

