

ETTA EYELID CABINET LIGHT

PROJECT REF _____

LOW GLARE RECESSED TASK AND DISPLAY LIGHT

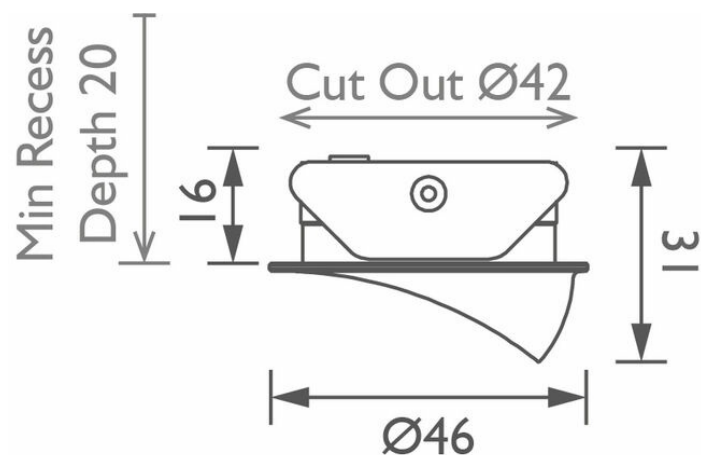
The Etta Eyelid is a precision engineered LED under cabinet light that can also be used for recessed task and display lighting. It comes with an in-built eyelid to minimise glare where the product would catch your eyeline. It is suitable for under shelf lighting, bespoke cabinetry, kitchens and marine lighting. Can be used to create continuous light onto a work surface under a kitchen cabinet. It is now available in both 2700K and 2400K to suit your interiors.

The Etta is also available without an Eyelid.

LUMINAIRE DATA

NARROW

Beam Angle (°)	
LED Source Lumens (lm)	360 lm
Luminaire Lumens (lm)	
Intensity Rating (cd)	
Power Consumption (W)	
Luminaire Efficacy (lm/W)	103 lm/W
Colour Temperature (K)	2400K, 2700K
CIE CRI available as	>90 Ra
IES TM-30 Colour Fidelity (R _f)	>90
IES TM-30 Colour Gamut (R _g)	>95
Binning	2 SDCM
Lifetime L70/B10 (hours)	>50000
IP Rating	IP54
IK Rating	IK02



Dimensions in mm. Not to scale

Polar diagram

PRODUCT VARIATIONS

Aluminium	N/A	2400K	DALI dimmable
Bronze		2700K	1-10V dimmable
White RAL 9910			Mains dimmable (phase cut dimming)
			Switched

Technical data figures are for guidance only and are subject to ±5% tolerance



ETTA EYELID CABINET LIGHT

LOW GLARE RECESSED TASK AND DISPLAY LIGHT

ELECTRICAL INFORMATION	NORMAL	MAX
Forward Voltage (Vf) @ 85°C	8.5V DC	9.3V DC
Current Rating	350mA	350mA
Wattage	3W	3.3W
Source Type	LED	
Product Class	Class III (SELV low voltage)	

PHYSICAL DATA

Cable Size	2 off 22 AWG 7/30 (0.33mm ²) Copper Strands
Cable Type	2 Core PVC (80 °C)
Cable Length	2000mm
Connector Type	N/A
Weight	40g
Ambient Temperature (Ta) (in void)	-20 ... +35 °C

Technical data figures are for guidance only and are subject to ±5% tolerance

PROJECT REF _____

PRODUCT ACCESSORIES

Surface Mount Collar White	ACUCSM012
Surface Mount Collar Bronze	ACUCSM062
Surface Mount Collar Aluminium	ACUCSM102

COMPLIANCE

IEC/EN 60598-1:2015
IEC/EN 60598-2-2:2012

