

ETTA EYELID

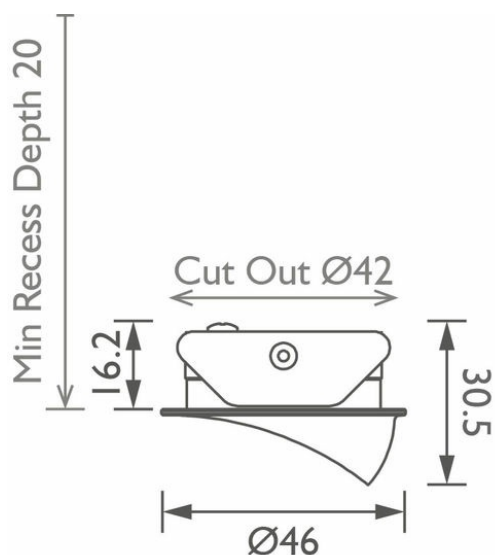
LOW GLARE RECESSED TASK AND DISPLAY LIGHT

The Etta Eyelid is a precision engineered low glare LED under cupboard light that can also be used for recessed task and display lighting. It is suitable for under shelf lighting, bespoke cabinetry, kitchens and marine lighting.

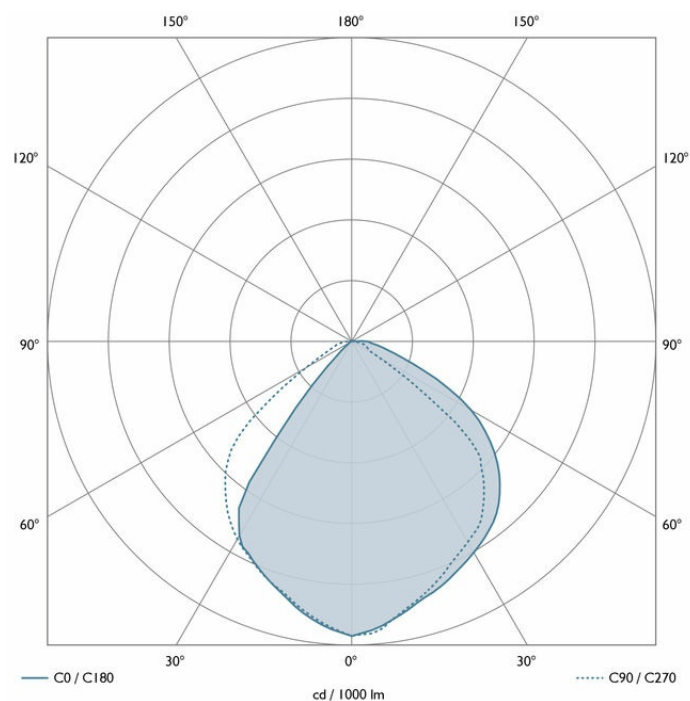
The Etta is also available without an Eyelid.

PROJECT REF _____

LUMINAIRE DATA	WIDE
Beam Angle	100°
LED Source Lumens	209 lm
Luminaire Lumens	158 lm
Intensity Rating	85 cd
Power Consumption	2W
Luminaire Efficacy	79 lm/W
Colour Temperature	2700K
CIE CRI available as	>91 Ra
IES TM-30 Colour Fidelity (R_f)	95
IES TM-30 Colour Gamut (R_g)	>100
Binning	2 SDCM
Lifetime L70/B10 (hours)	>50000
IP Rating	IP54
IK Rating	IK02



Dimensions in mm. Not to scale



PRODUCT VARIATIONS

Aluminium	N/A	2700K	DALI dimmable
Bronze			1-10V dimmable
White RAL 9910			Mains dimmable (phase cut dimming)
			Switched

Technical data figures are for guidance only and are subject to $\pm 5\%$ tolerance



ETTA EYELID

LOW GLARE RECESSED TASK AND DISPLAY LIGHT

ELECTRICAL INFORMATION	NORMAL	MAX
Forward Voltage (Vf) @ 85°C	2.9V DC	3.25V DC
Current Rating	700mA	700mA
Wattage	2W	2.28W
Source Type	LED	
Product Class	Class III (SELV low voltage)	

PHYSICAL DATA	
Cable Size	2 off 7/0.2 (0.22mm ²) Tinned Copper Strands
Cable Type	2 Core PTFE (200 °C)
Cable Length	2000mm
Connector Type	N/A
Weight	70g
Ambient Temperature (Ta) (in void)	-20 ... +50 °C

Technical data figures are for guidance only and are subject to ±5% tolerance

PROJECT REF

PRODUCT ACCESSORIES	
Surface Mount Collar White	ACUCSM012
Surface Mount Collar Bronze	ACUCSM062
Surface Mount Collar Aluminium	ACUCSM102

COMPLIANCE	
IEC/EN 60598-1:2015	
IEC/EN 60598-2-2:2012	

