

## ETTA CABINET LIGHT

## RECESSED TASK AND DISPLAY LIGHT

The Etta is a precision engineered LED under cabinet light that can also be used for recessed task and display lighting. It is suitable for under shelf lighting, bespoke cabinetry, kitchens and marine lighting. Can be used to create continuous light onto a work surface under a kitchen cabinet. It is now available in both 2700K and 2400K to suit your interiors.

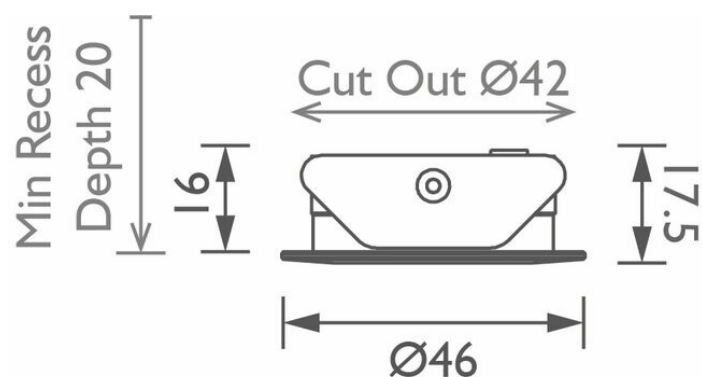
The Etta under cabinet light is also available with an eyelid to minimise glare - see Etta Eyelid. Independently tested by the Eurofins.

## PROJECT REF \_\_\_\_\_

## LUMINAIRE DATA

## NARROW

Beam Angle (°)	
LED Source Lumens (lm)	360 lm
Luminaire Lumens (lm)	
Intensity Rating (cd)	
Power Consumption (W)	
Luminaire Efficacy (lm/W)	108 lm/W
Colour Temperature (K)	2400K, 2700K
CIE CRI available as	>90 Ra
IES TM-30 Colour Fidelity (R <sub>f</sub> )	>90
IES TM-30 Colour Gamut (R <sub>g</sub> )	>95
Binning	2 SDCM
Lifetime L70/B10 (hours)	>50000
IP Rating	IP54
IK Rating	IK02



Dimensions in mm. Not to scale

Polar diagram



## PRODUCT VARIATIONS

Aluminium	N/A	2400K	DALI dimmable
Bronze		2700K	1-10V dimmable
White RAL 9910			Mains dimmable (phase cut dimming)
			Switched

Technical data figures are for guidance only and are subject to ±5% tolerance



## ETTA CABINET LIGHT

RECESSED TASK AND DISPLAY LIGHT

ELECTRICAL INFORMATION	NORMAL	MAX
Forward Voltage (Vf) @ 85°C	8.5V DC	9.3V DC
Current Rating	350mA	350mA
Wattage	3W	3.3W
Source Type	LED	
Product Class	Class III (SELV low voltage)	

## PHYSICAL DATA

Cable Size	2 off 22 AWG 7/30 (0.33mm <sup>2</sup> ) Copper Strands
Cable Type	2 Core PVC (80 °C)
Cable Length	2000mm
Connector Type	N/A
Weight	35g
Ambient Temperature (Ta) (in void)	-20 ... +35 °C

Technical data figures are for guidance only and are subject to ±5% tolerance

## PROJECT REF \_\_\_\_\_

## PRODUCT ACCESSORIES

Surface Mount Collar White	ACUCSM012
Surface Mount Collar Bronze	ACUCSM062
Surface Mount Collar Aluminium	ACUCSM102

## COMPLIANCE

IEC/EN 60598-1:2015
IEC/EN 60598-2-2:2012

