

CAZALLA

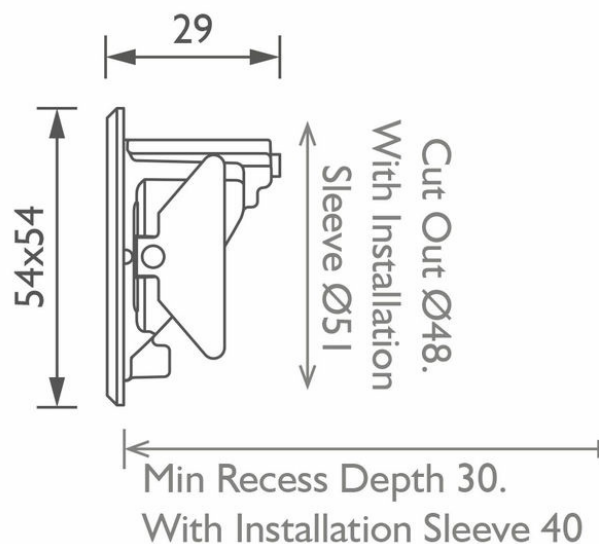
MINIATURE LOW GLARE FLOOR AND STEP LIGHT

The Cazalla is an energy efficient LED miniature steplight designed to provide low glare lighting to stair treads, corridors and exteriors. It is a versatile product and can also be used upside down at a high level to become an uplight.

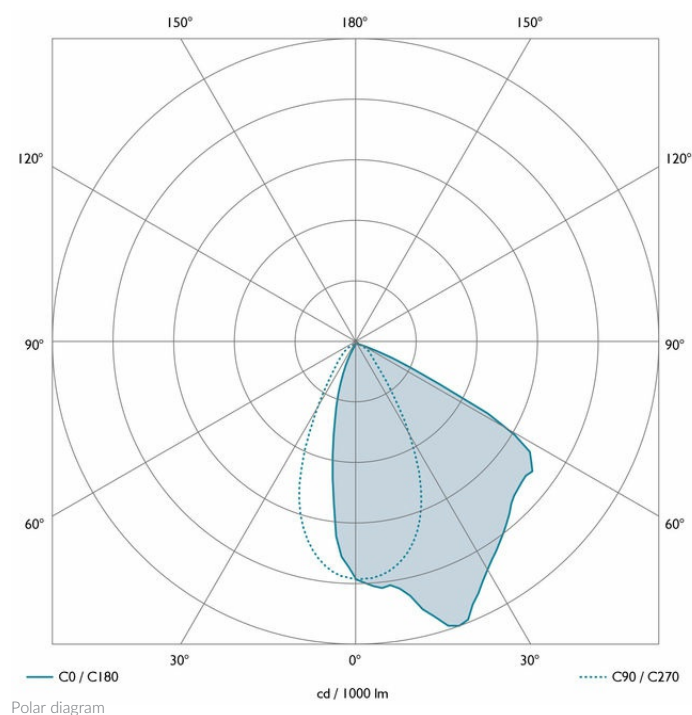
The Cazalla LED steplight is suitable for use indoor and outside or in wet areas.

PROJECT REF _____

LUMINAIRE DATA	WIDE
Beam Angle (°)	Floor Wash
LED Source Lumens (lm)	80 lm
Luminaire Lumens (lm)	35 lm
Intensity Rating (cd)	30 cd
Power Consumption (W)	1W
Luminaire Efficacy (lm/W)	35 lm/W
Colour Temperature (K)	2700K
CIE CRI available as	>90 Ra
IES TM-30 Colour Fidelity (R _f)	86
IES TM-30 Colour Gamut (R _g)	>90
Binning	2 SDCM
Lifetime L70/B10 (hours)	>50000
IP Rating	IP66
IK Rating	IK03



Dimensions in mm. Not to scale



PRODUCT VARIATIONS

Black RAL 9005	Floor Wash	2700K	1-10V dimmable
Bright Chrome			DALI dimmable
Bronze			Switched
Primed			
Stainless Steel			
White RAL 9910			

Technical data figures are for guidance only and are subject to ±5% tolerance



CAZALLA

MINIATURE LOW GLARE FLOOR AND STEP LIGHT

ELECTRICAL INFORMATION	NORMAL	MAX
Forward Voltage (Vf) @ 85°C	2.8V DC	3.2V DC
Current Rating	350mA	700mA
Wattage	1W	2.2W
Source Type	LED	
Product Class	Class III (SELV low voltage)	

PHYSICAL DATA	
Cable Size	4mm OD - 2 off 7/0.2 (0.22mm ²)
Cable Type	2 x 2 Core PVC (Copper Core)
Cable Length	300mm
Connector Type	N/A
Weight	70g
Ambient Temperature (Ta) (in void)	-20 ... +40 °C

Technical data figures are for guidance only and are subject to ±5% tolerance

PROJECT REF

PRODUCT ACCESSORIES	
IP66 enclosure for Driver Large	ACENIPLRG
IP66 enclosure for Driver Small	ACENIPSML
IP68 In-Line Connection	ACILIP68C
Installation Sleeve	ACISCAZA2
IP68 Y-Junction Connection	ACYJBIP68

COMPLIANCE	
IEC/EN 60598-1:2015	
IEC/EN 60598-2-2:2012	

