

AQUABEAM 50

DIRECTIONAL WATERPROOF TRIM OR TRIMLESS DOWNLIGHT

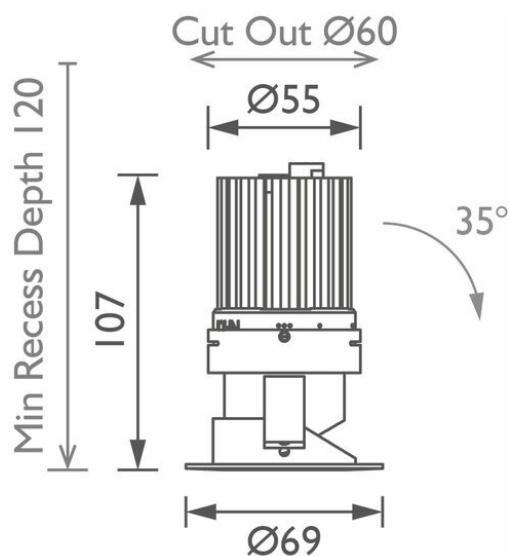
Our Aquabeam 50 IP rated LED downlight uses an extra slim-line bezel and has a deep 25mm black baffle to reduce glare. This fitting is waterproof which makes it suitable for wet areas such as bathrooms, shower rooms etc. It can tilt up to 35 degrees.

The Aquabeam 50 now comes with four different LED engines: Pure 50, AmbiDim 50, True 50 and Tune 50. See the LED engines for full details. Technical details below for the Pure 50. The engine features a patented twist and lock LED engine mount and plug in LED driver for interchangeable components on site with no hand tools required. A narrow 22° and wide 33° beam is available on special request.

PROJECT REF _____

LUMINAIRE DATA

	SS	SP	ME	SW
Beam Angle (°)	13°	16°	26°	46°
LED Source Lumens (lm)	411	925	1163	1231
Luminaire Lumens (lm)	300	701	708	589
Intensity Rating (cd)	3500	5954	2943	1113
Power Consumption (W)	7W	12.8W	12W	12W
Luminaire Efficacy (lm/W)	42.9	54.8	59	49.1
Colour Temperature (K)	2700K			
CIE CRI available as	98 Ra			
IES TM-30 Colour Fidelity (R _f)	95			
IES TM-30 Colour Gamut (R _g)	99.4			
Binning	2 SDCM			
Lifetime L70/B10 (hours)	>50000			
IP Rating	IP65 (Front)/IP20 (Rear)			
IK Rating	IK02			



Dimensions in mm. Not to scale

Polar diagram



PRODUCT VARIATIONS

White RAL 9910	Medium	2700K	1-10V dimmable
	Narrow		DALI dimmable
	Spot		Mains dimmable (phase cut dimming)
	SuperSpot		Switched
	SuperWide		
	Wide		

Technical data figures are for guidance only and are subject to ±5% tolerance



AQUABEAM 50

DIRECTIONAL WATERPROOF TRIM OR TRIMLESS DOWNLIGHT

ELECTRICAL INFORMATION	NORMAL	MAX
Forward Voltage (Vf) @ 85°C	36V DC	36V DC
Current Rating	350mA	350mA
Wattage	12W	12.8W
Source Type	LED	
Product Class	Class III (SELV low voltage)	

PHYSICAL DATA

Cable Size	6.4mm OD - 2 off 24/0.2 (0.75mm ²)	
Cable Type	2 Core Silicone (180 °C)	
Cable Length	350mm	
Connector Type	OJ-602B	
Weight	290g	
Ambient Temperature (Ta) (in void)	-20 ... +35 °C	

Technical data figures are for guidance only and are subject to ±5% tolerance

PROJECT REF

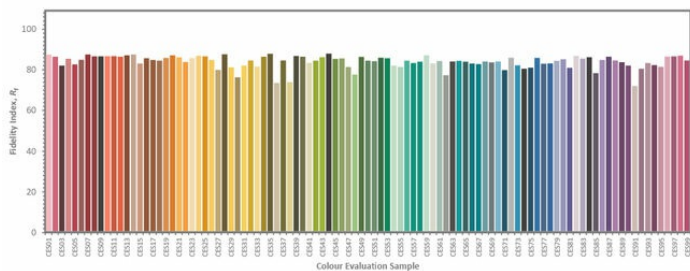
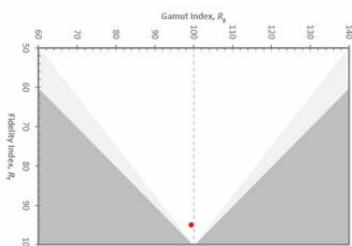
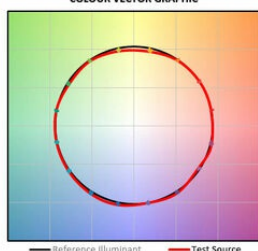
PRODUCT ACCESSORIES

Bellow Dust Cover	ACBEAQ021
Fire Plate 50	ACFPPSXX1
Honeycomb Insert 50mm	ACHC50MM1
Halogen Upgrade Downlight Accessory White	ACHUPS011
Spreader Lens 50mm	ACLL50MM1
Lathe & Plaster Ceiling Ring Accessory	ACLPCRING
Plaster-in Flush Downlight Accessory	ACPIFLDL1
Sandblasted Glass Lens 50mm	ACSG50MM1
Softening Lens 50mm	ACSL50MM2

COMPLIANCE

IEC/EN 60598-1:2015
IEC/EN 60598-2-2:2012

COLOUR VECTOR GRAPHIC



Colour Rendering Index

